

Your Futaba R7214SB/R7314SB programming can be updated easily online. When functions are improved, the update file can be downloaded from our website.

For more information, check out web site for FAQ regarding updating this product.

\*The display screen is an example. The screen depends on the PC.

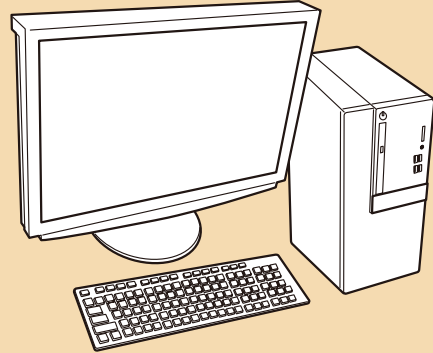
## When using CIU-3 : Required for update

### CIU-3

\*CIU-2 cannot be used.



**CGY750/GY701/GY520  
Extensions**

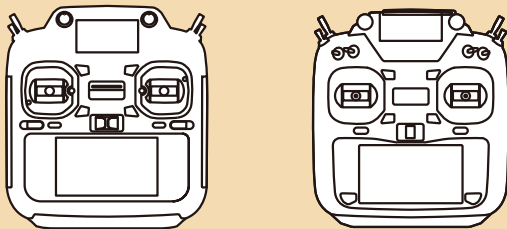


**PC**  
(Access is possible by the web)

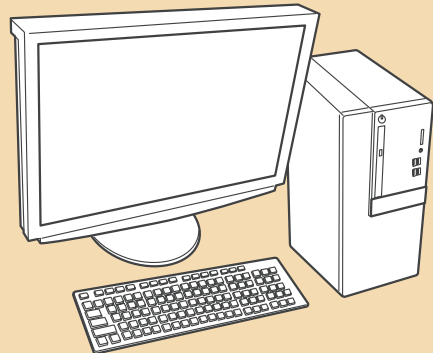
## When using T26SZ or T16IZS(V4.0~) , T16IZ(V6.0~): Required for update



**microSD**



**T26SZ or  
T16IZS(V4.0~), T16IZ(V6.0~)**



**PC**  
(Access is possible by the web)



**CGY750/GY701/GY520  
Extensions**

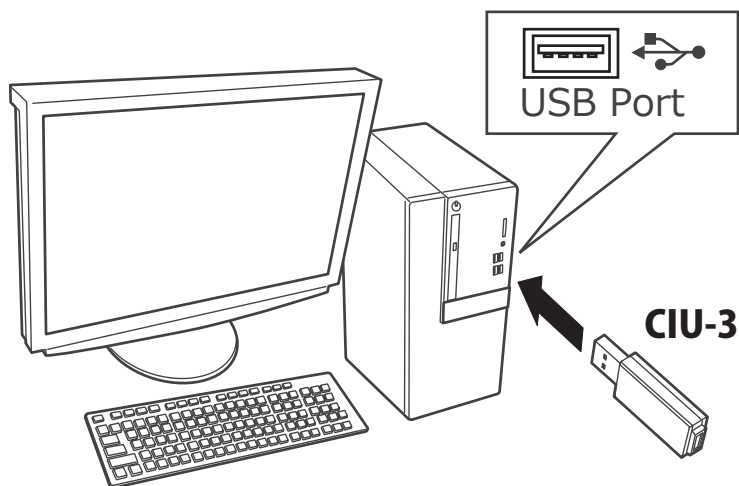
### Battery for receiver



# When using CIU-3 : Update Procedure

## Preparations

1. Install the driver for the CIU-3 onto your PC.

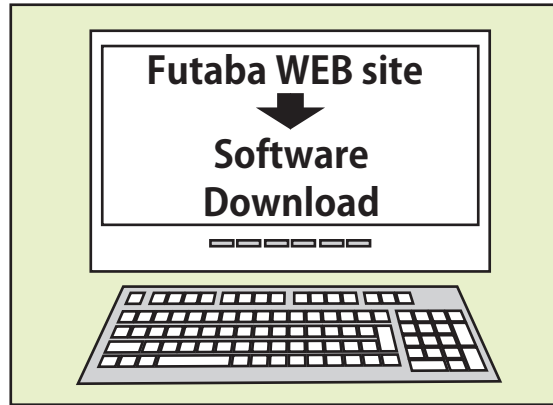


- ◆ When the **CIU-3** is first connected to the PC, once the CIU-3 is connected to the PC, download the recommended driver software Using Windows Vista, the "Found New Hardware Wizard" window appears on the screen. Click "Locate and install driver software".
- ◆ Refer to the manual of the CIU-3 for further information.

# Updating procedure

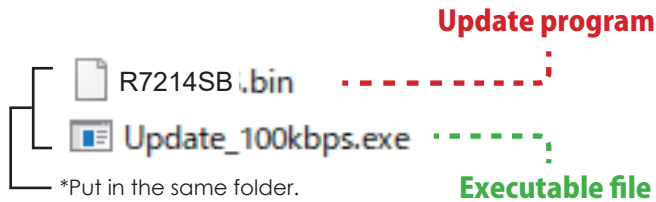
1. Download the zip file of the update data from our website or your local distributor's website.

<https://www.rc.futaba.co.jp/>  
<https://futabausa.com>

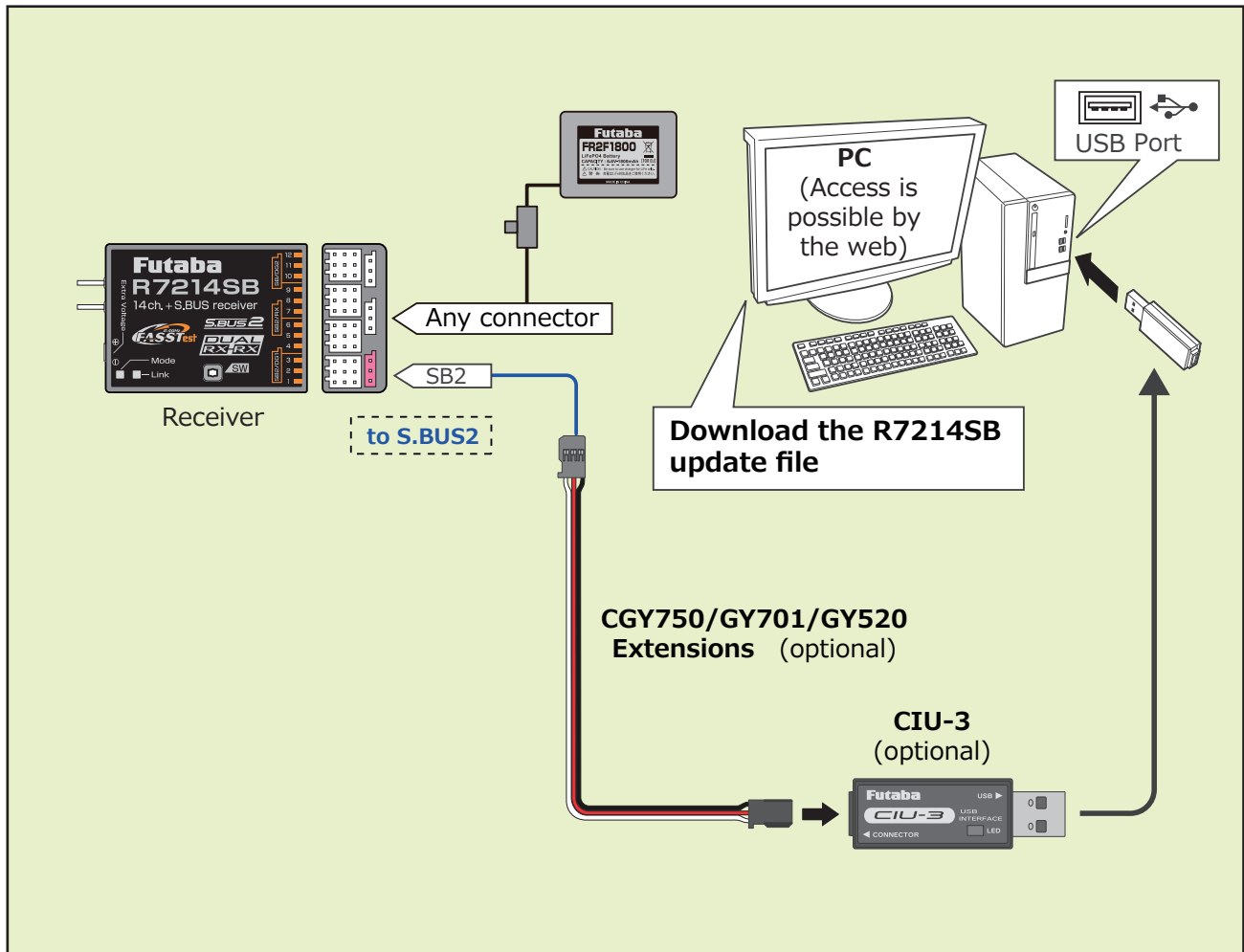


2. Extract the zip file on your computer.

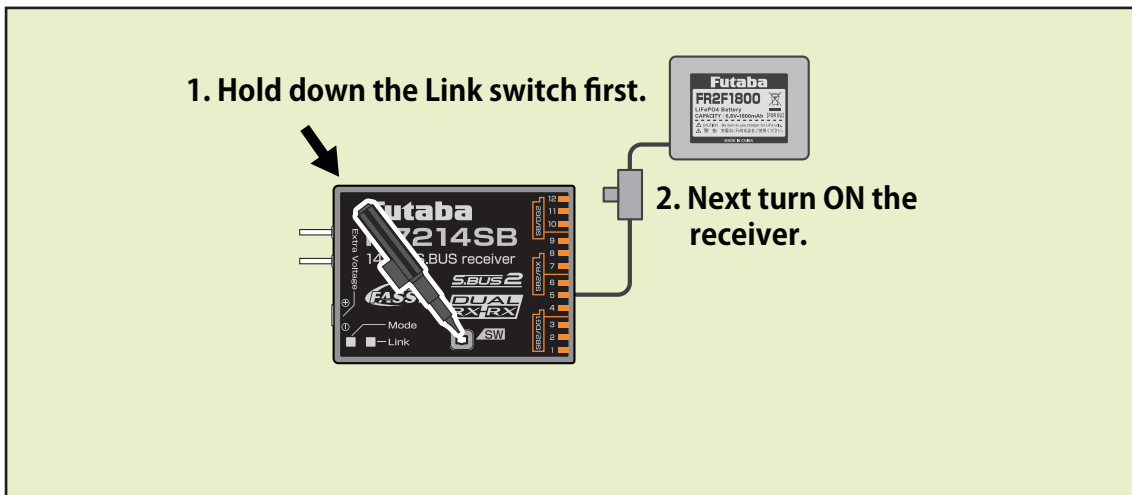
\*The software of R7214SB and R7314SB is common.



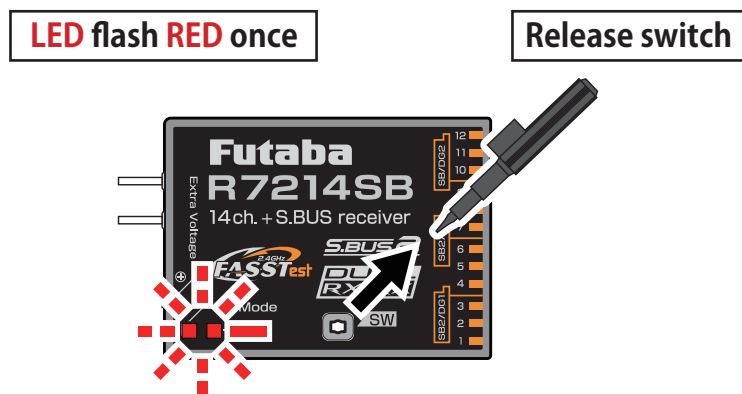
3. Connect as shown in the figure.



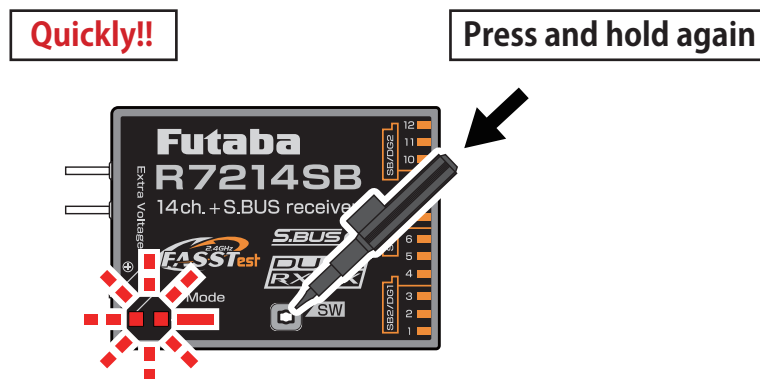
4. Turn on the receiver power while pressing down the switch.



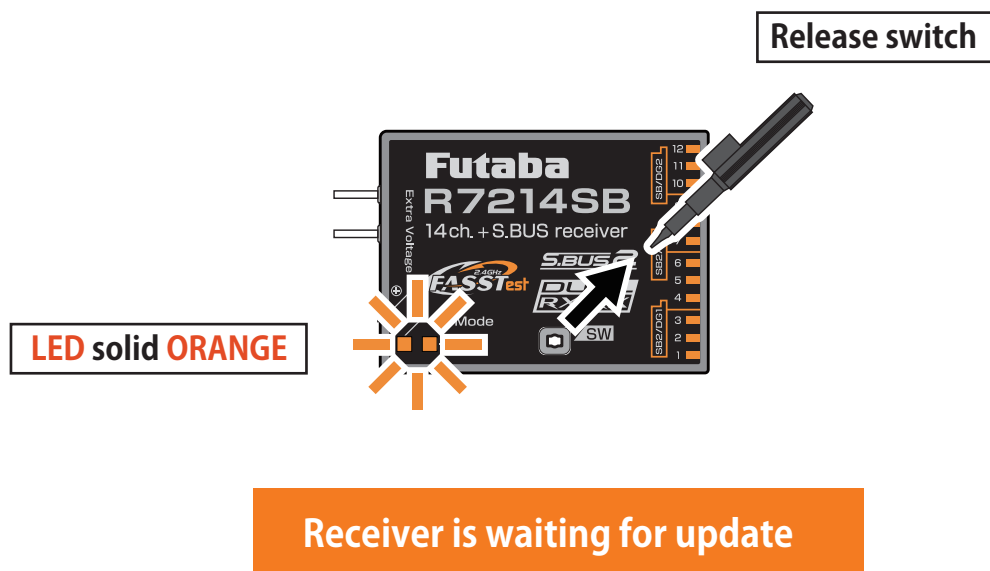
5. LED flash red once, release the switch.



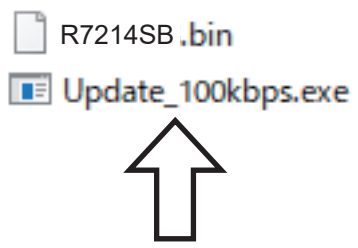
6. Press the switch again.



7. Release the switch when the solid orange.

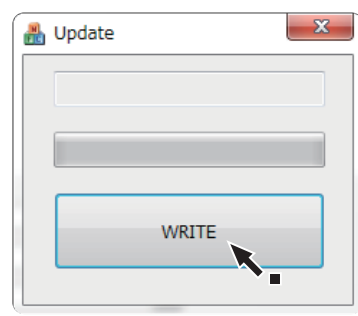


8. Execute the update file copied to the PC.

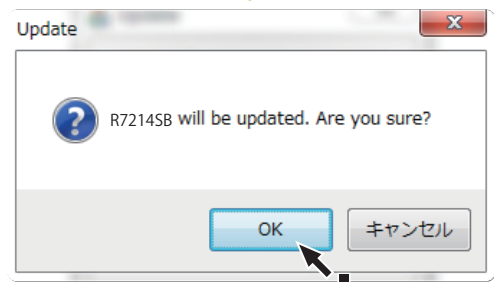


\*The software of R7214SB and R7314SB is common.

9. Operate the PC update. (The receiver should keep orange on.)



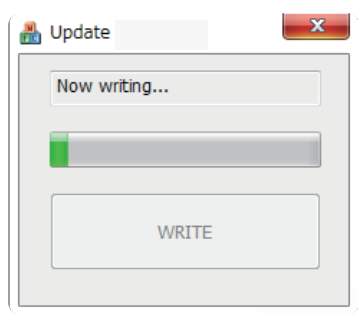
Write

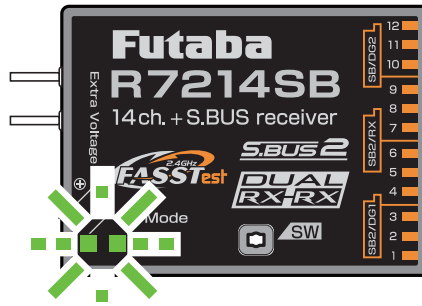


OK

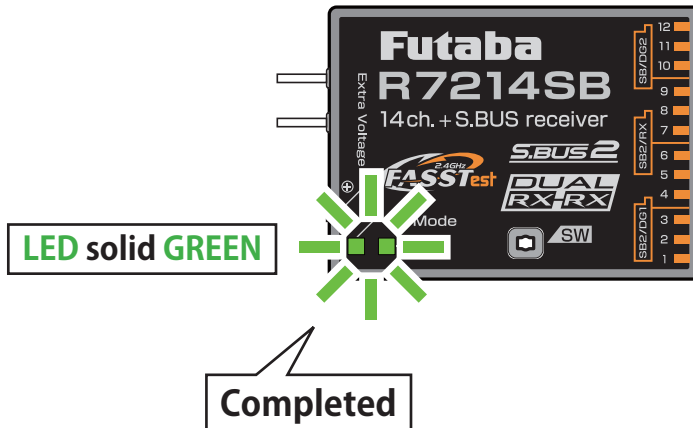
Wait

Don't turn off the power !



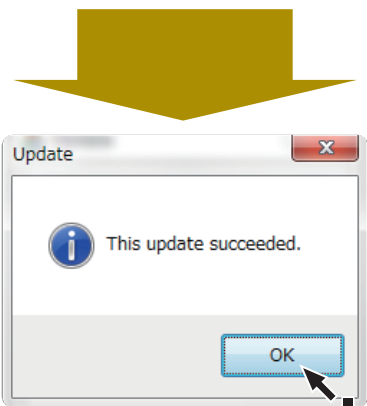


Flickers **GREEN** during update



LED solid **GREEN**

Completed



10. The **GREEN LED** on the R7214SB/R7314SB lights up when the update is complete. A completion message box will appear on your PC. Click OK.

11. Turn off the power switch of your R7214SB/R7314SB and remove the CIU-3.

12. Be sure to check the each function before use.

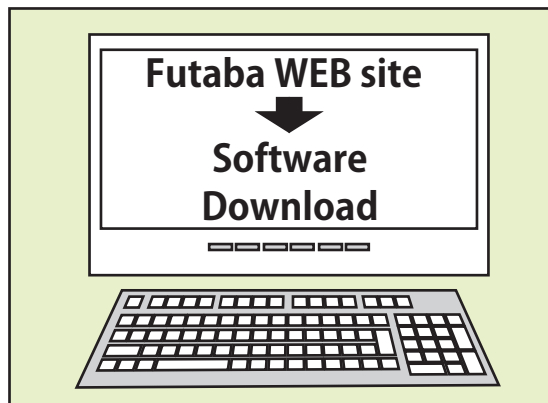
# When using T26SZ or T16IZS(V4.0~), T16IZ(V6.0~) : Update Procedure

## Preparations

1. Download the zip file of the R7214SB update data from our website or your local distributor's website.

<https://www.rc.futaba.co.jp/>

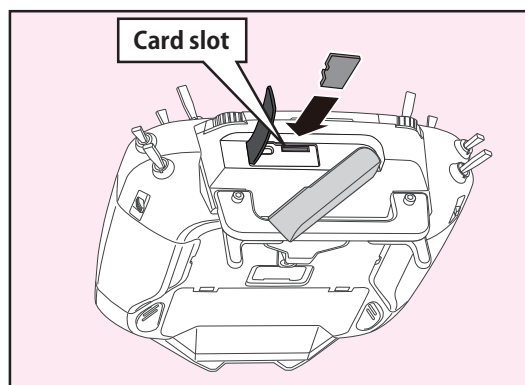
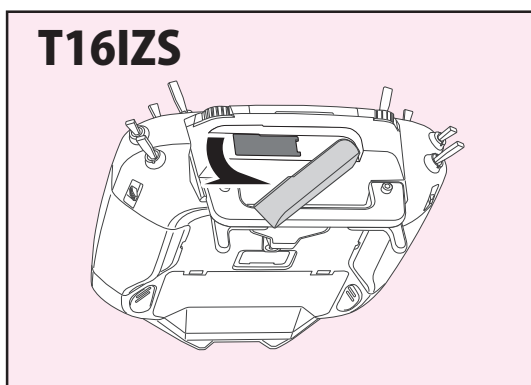
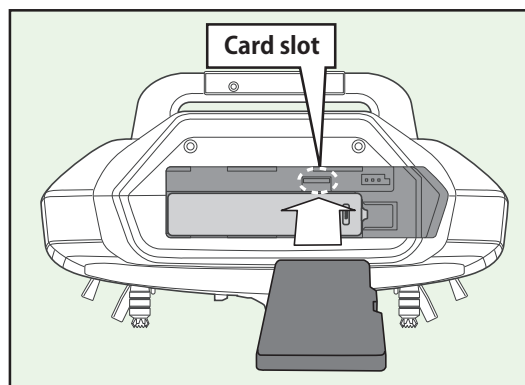
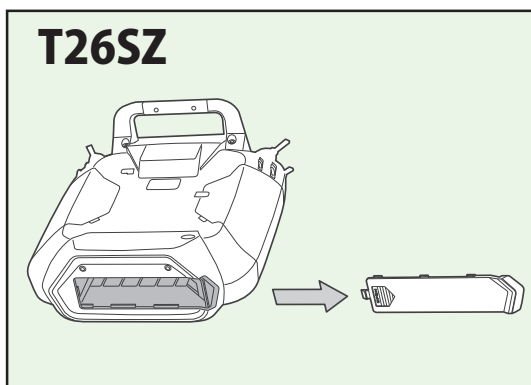
<https://futabausa.com>



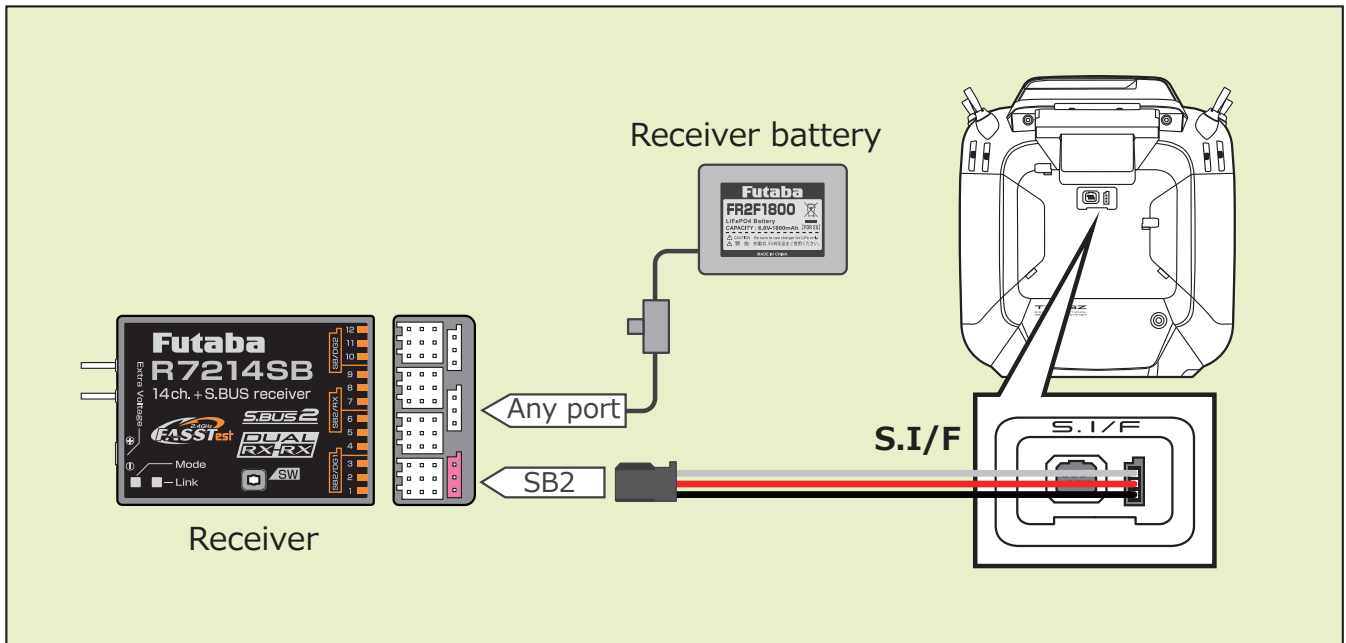
2. Extract the zip file on your computer.

3. Copy the "FUTABA" folder into your microSD card.

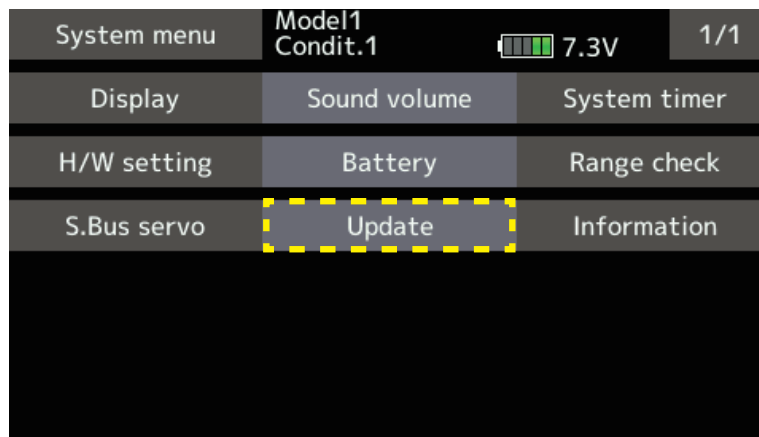
4. Insert the microSD card with "FUTABA" folder that contained the update software into the SD card slot on your transmitter.



5. Connect the receiver to be updated to the S.I/F connector of the transmitter.



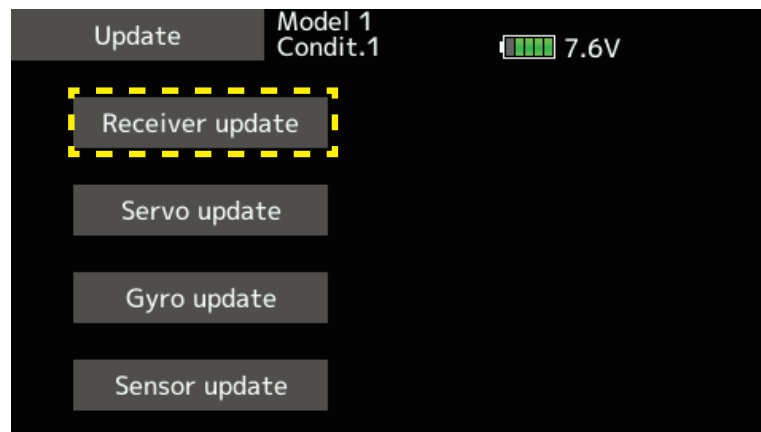
6. Turn on the transmitter and call "System Menu" ⇒ "Update".



\*The display screen will vary depending on the transmitter.

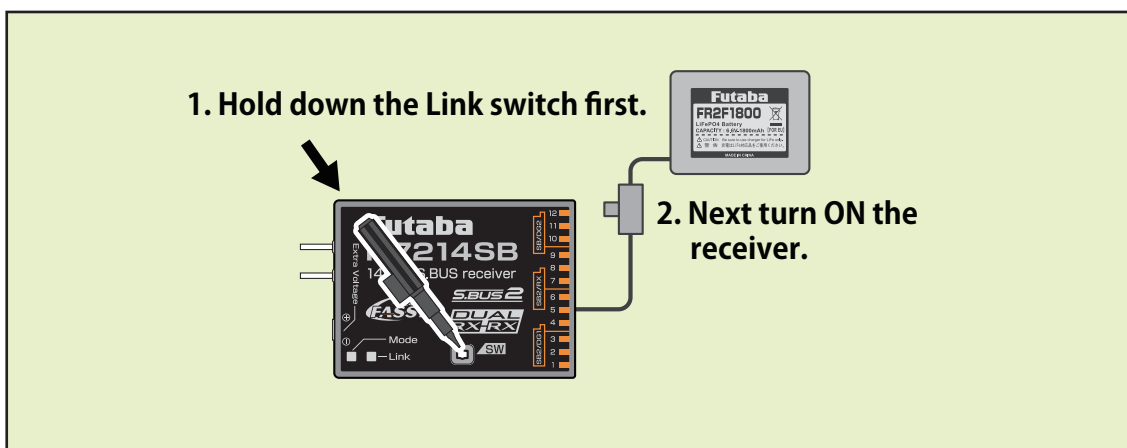
7. Tap [Receiver Update] → [R7214SB].

\*The software of R7214SB and R7314SB is common.

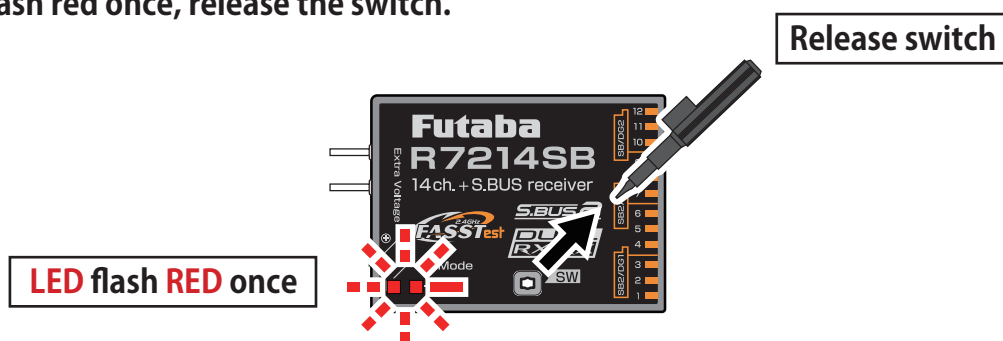




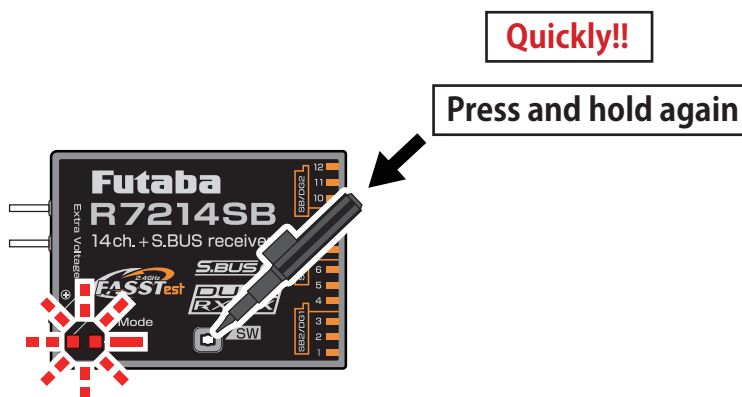
8. Turn on the receiver power while pressing down the switch.



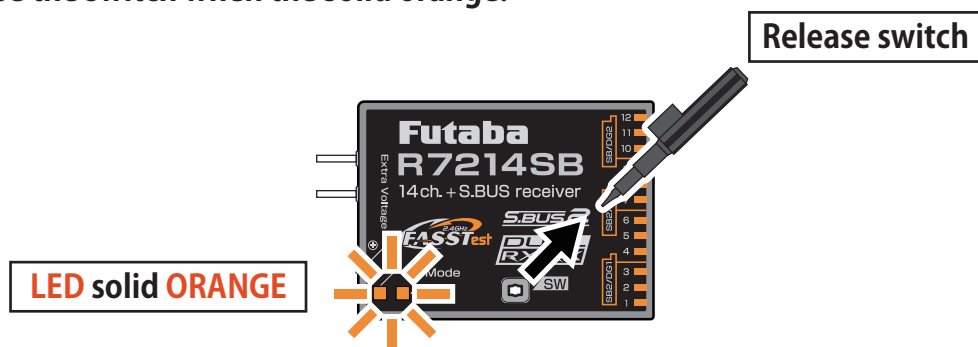
9. LED flash red once, release the switch.



10. Press the switch again.

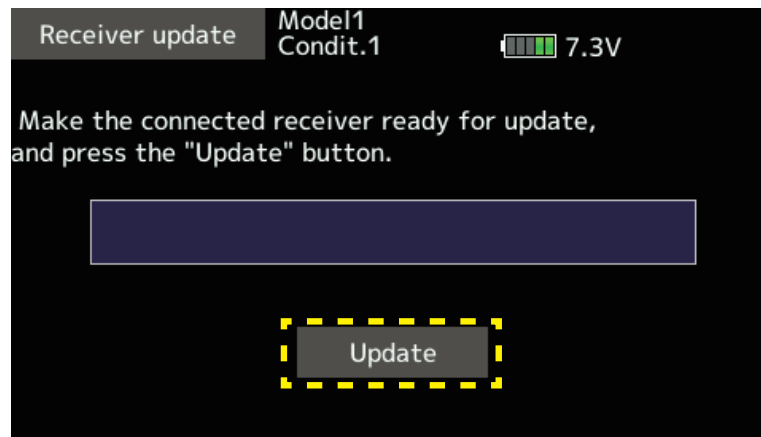


11. Release the switch when the solid orange.

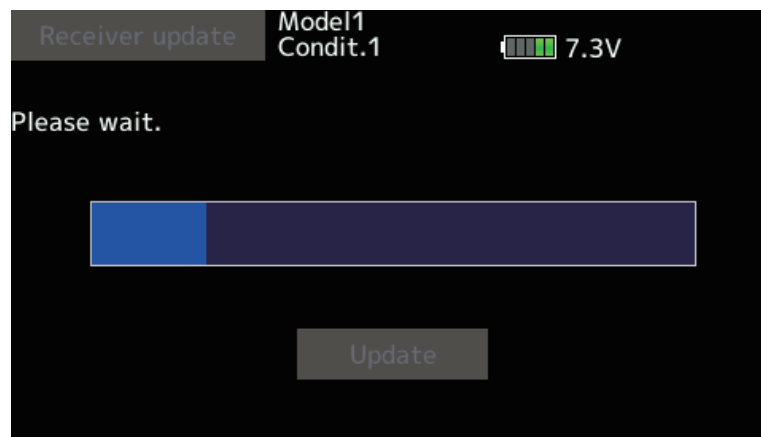


Receiver is waiting for update

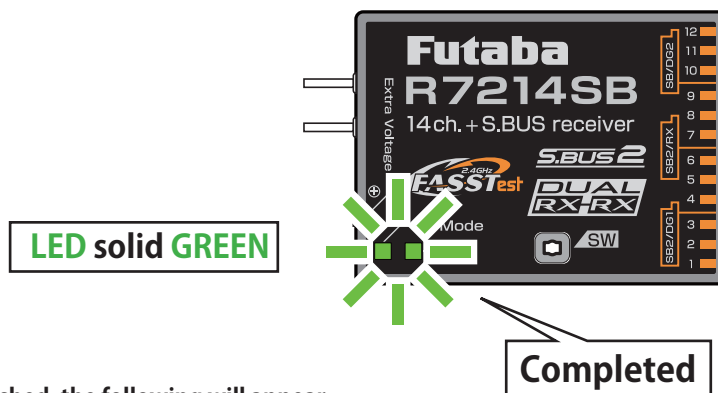
12. Tap [Update].



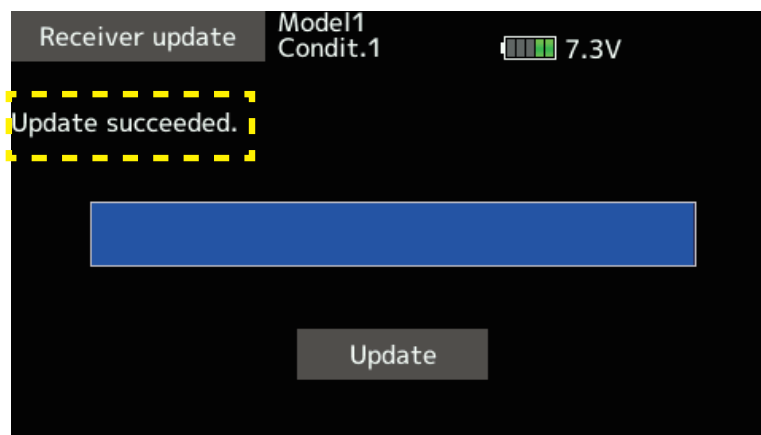
13. Update start.



14. The GREEN LED on the R7214SB/R7314SB lights up when the update is complete.



15. When finished, the following will appear.



16. Check the version by tapping [System Menu] → [R7214SB] → [Load].

17. Disconnect the DLPH-2 from the transmitter's S.I/F connector.

## V1.1 UPDATE

- Link processing has been improved.
- Processing has been improved when connecting the sub RX/DLPH-1/DLPH-2/FDLS-1 in dual RX link mode.