

Your Futaba R7201SB/R7301SB programming can be updated easily online. When functions are improved, the update file can be downloaded from our website.

For more information, check out web site for FAQ regarding updating this product.

*The display screen is an example. The screen depends on the PC.

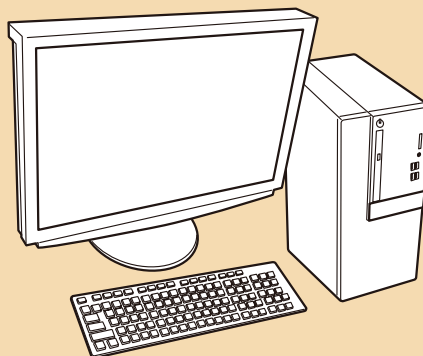
When using CIU-3 : Required for update

CIU-3

*CIU-2 cannot be used.



**CGY750/GY701/GY520
Extensions**

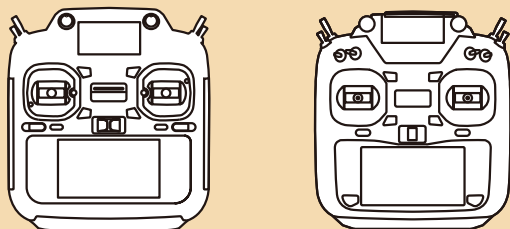


PC
(Access is possible by the web)

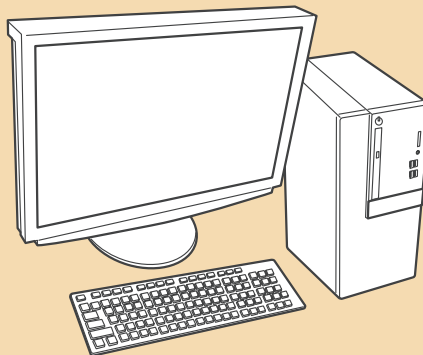
When using T26SZ or T16IZS(V4.0~) , T16IZ(V6.0~): Required for update



microSD



**T26SZ or
T16IZS(V4.0~), T16IZ(V6.0~)**



PC
(Access is possible by the web)



**CGY750/GY701/GY520
Extensions**

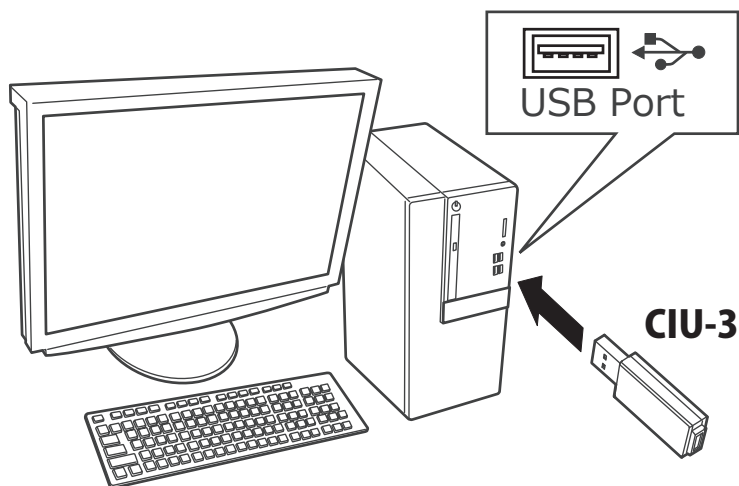
Battery for receiver



When using CIU-3 : Update Procedure

Preparations

1. Install the driver for the CIU-3 onto your PC.

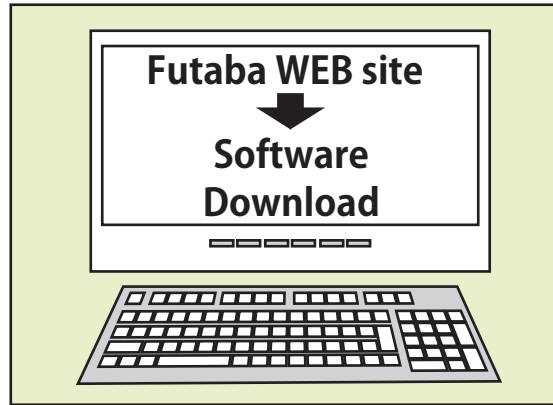


- ◆ When the **CIU-3** is first connected to the PC, once the CIU-3 is connected to the PC, download the recommended driver software Using Windows Vista, the "Found New Hardware Wizard" window appears on the screen. Click "Locate and install driver software".
- ◆ Refer to the manual of the CIU-3 for further information.

Updating procedure

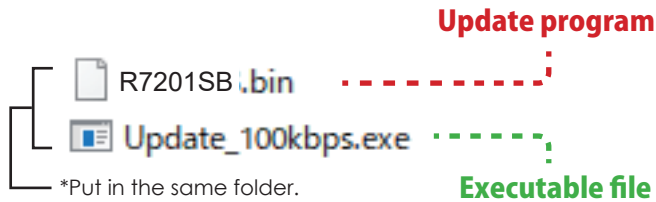
1. Download the zip file of the update data from our website or your local distributor's website.

<https://www.rc.futaba.co.jp/>
<https://futabausa.com>

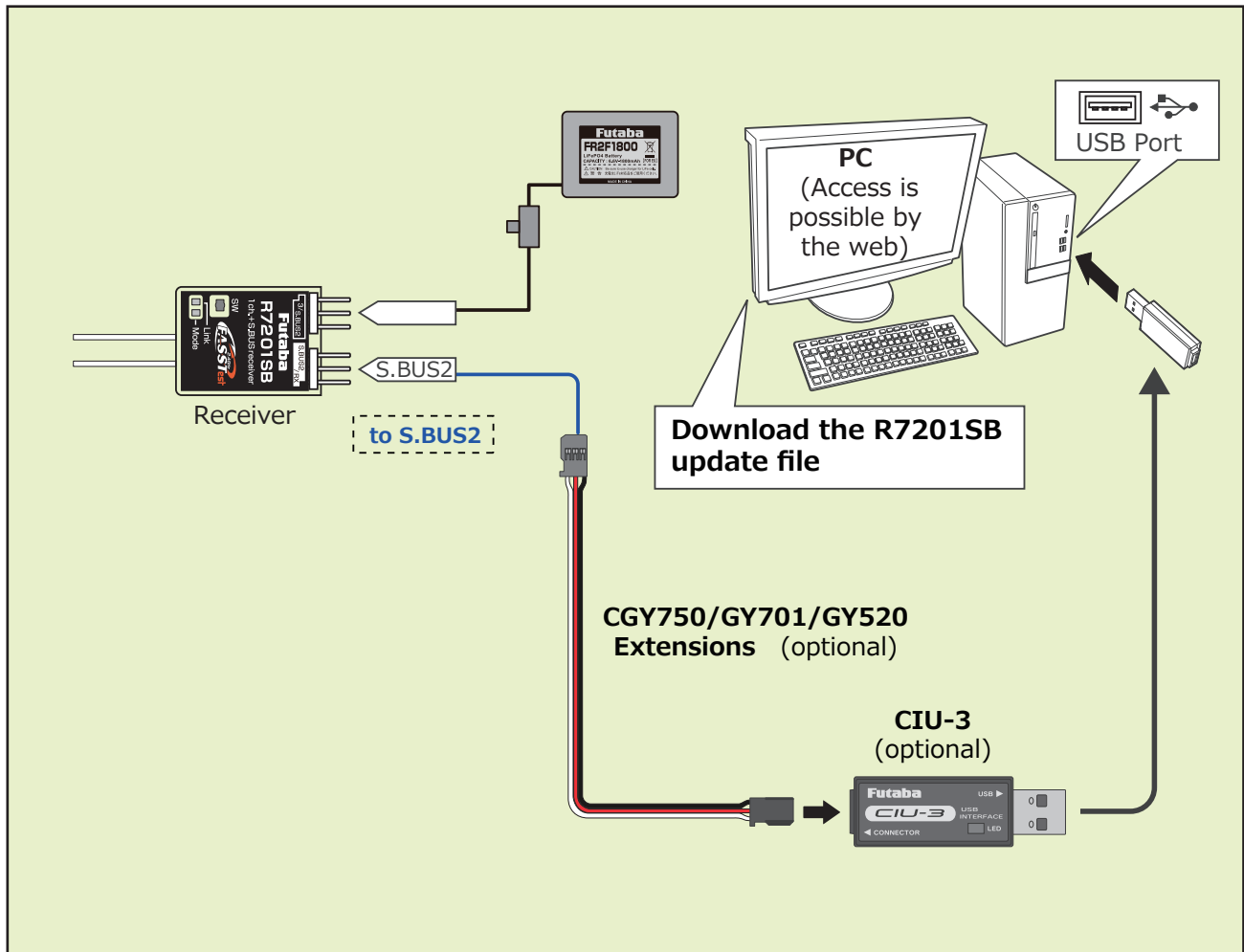


2. Extract the zip file on your computer.

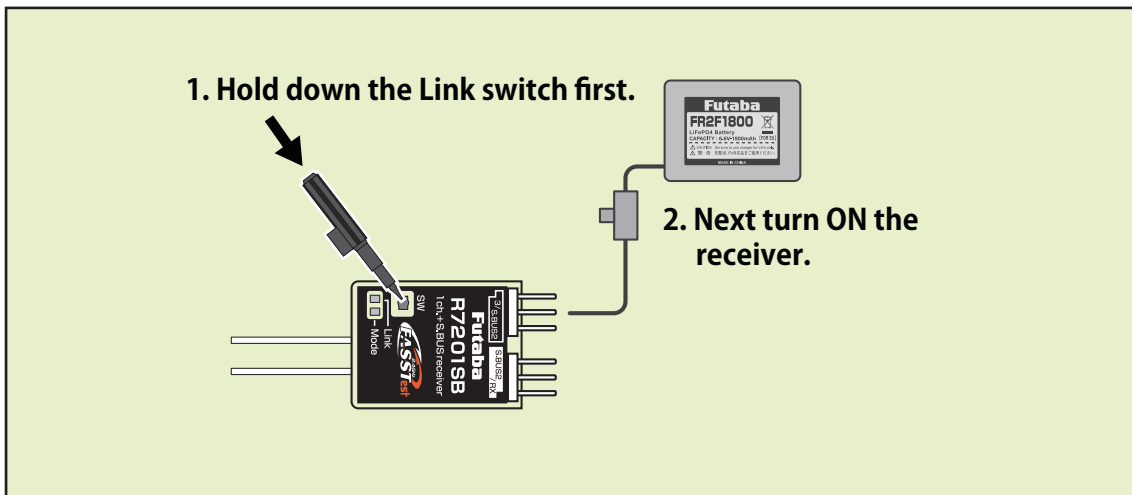
*The software of R7201SB and R7301SB is common.



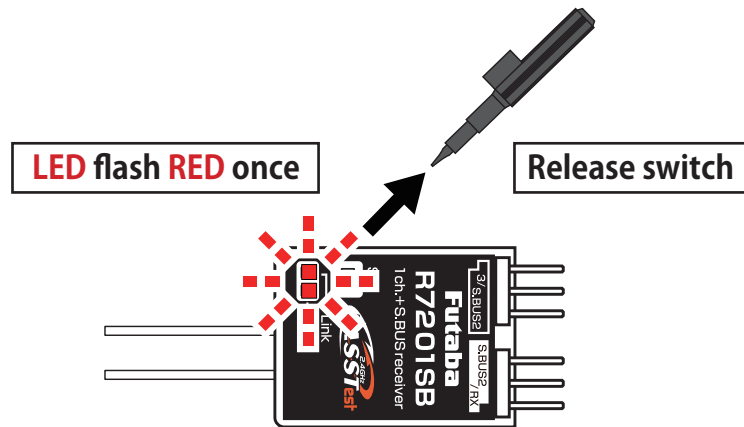
3. Connect as shown in the figure.



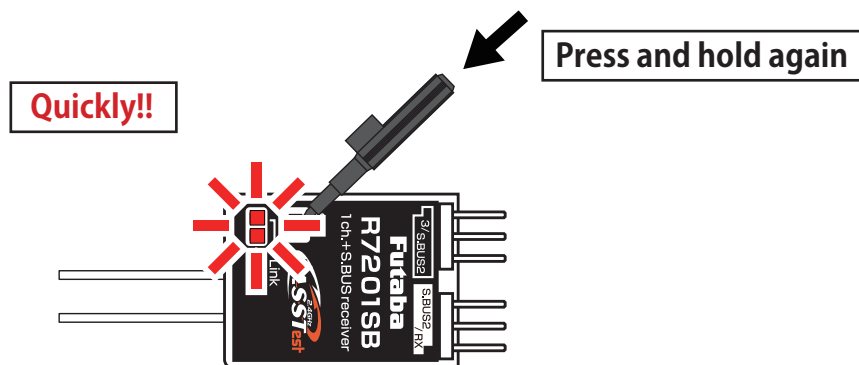
4. Turn on the receiver power while pressing down the switch.



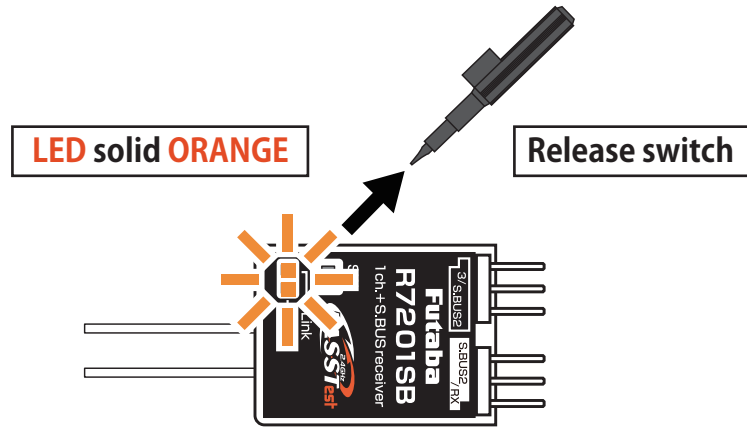
5. LED flash red once, release the switch.



6. Press the switch again.

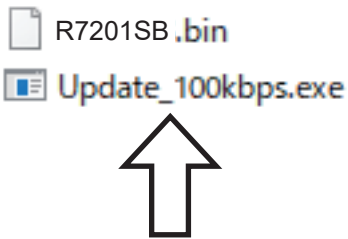


7. Release the switch when the solid orange.

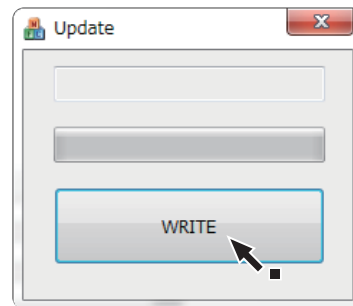


Receiver is waiting for update

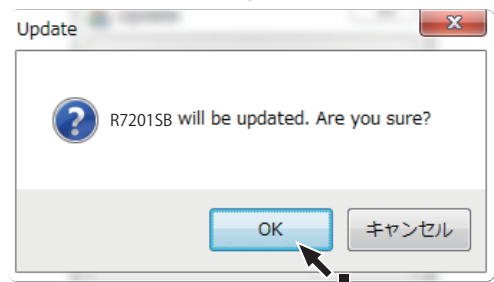
8. Execute the update file copied to the PC.



*The software of R7201SB and R7301SB is common.



Write

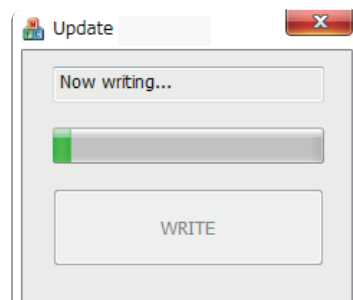


OK

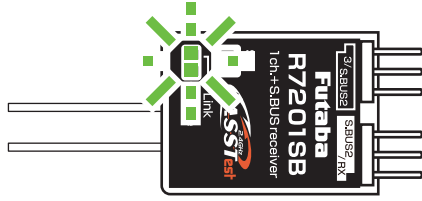
9. Operate the PC update. (The receiver should keep orange on.)

Wait

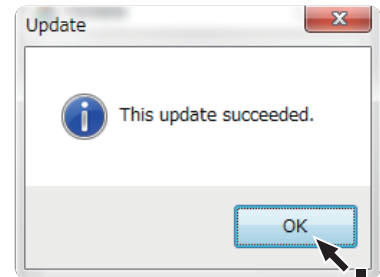
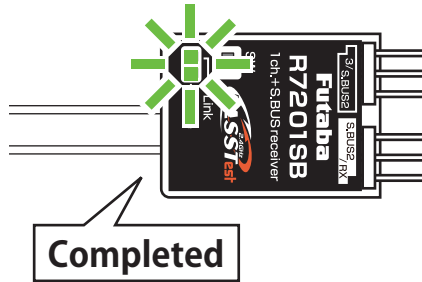
Don't turn off the power !



Flickers **GREEN** during update



LED solid GREEN



10. The **GREEN LED** on the R7201SB/R7301SB lights up when the update is complete. A completion message box will appear on your PC. Click OK.

11. Turn off the power switch of your R7201SB/R7301SB and remove the CIU-3.

12. Be sure to check the each function before use.

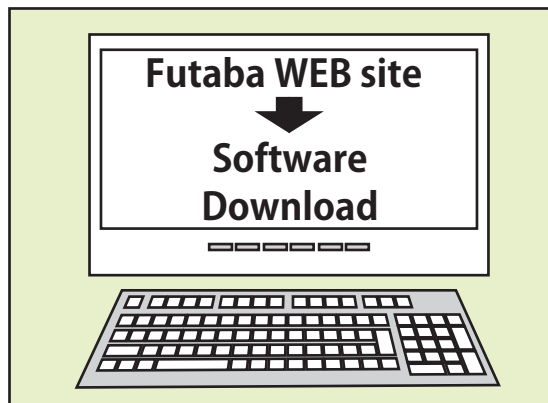
When using T26SZ or T16IZS(V4.0~), T16IZ(V6.0~) : Update Procedure

Preparations

1. Download the zip file of the R7201SB update data from our website or your local distributor's website.

<https://www.rc.futaba.co.jp/>

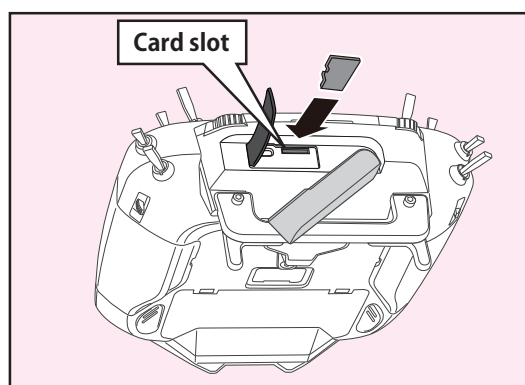
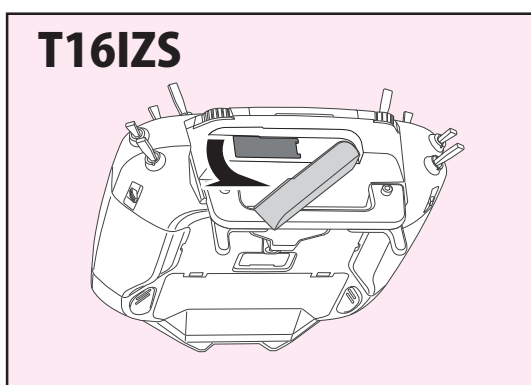
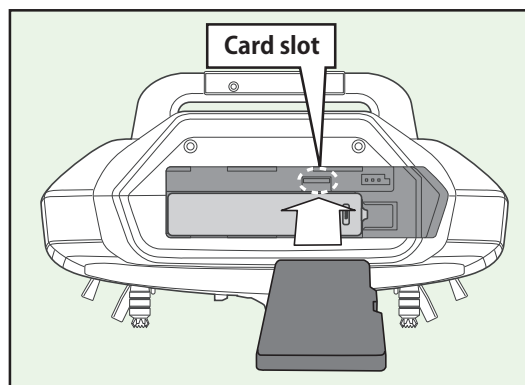
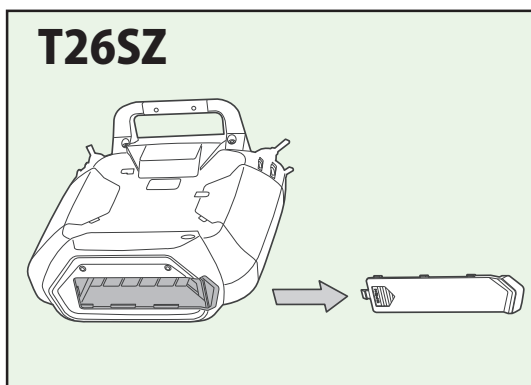
<https://futabausa.com>



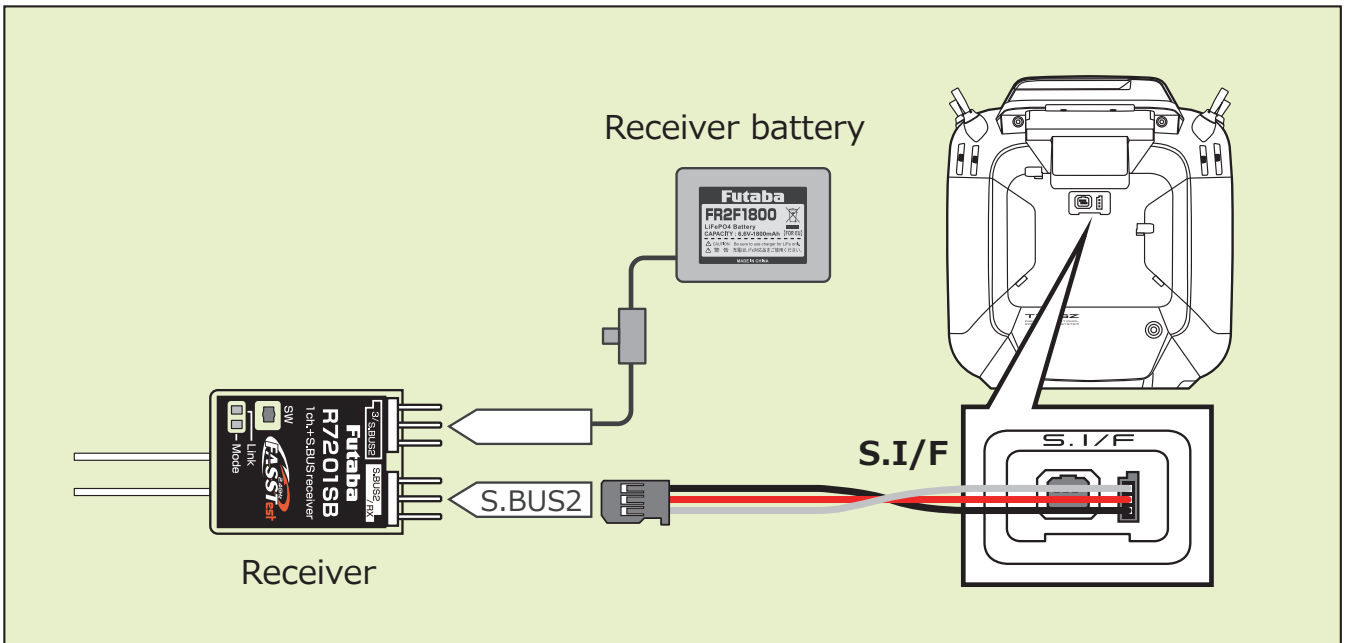
2. Extract the zip file on your computer.

3. Copy the "FUTABA" folder into your microSD card.

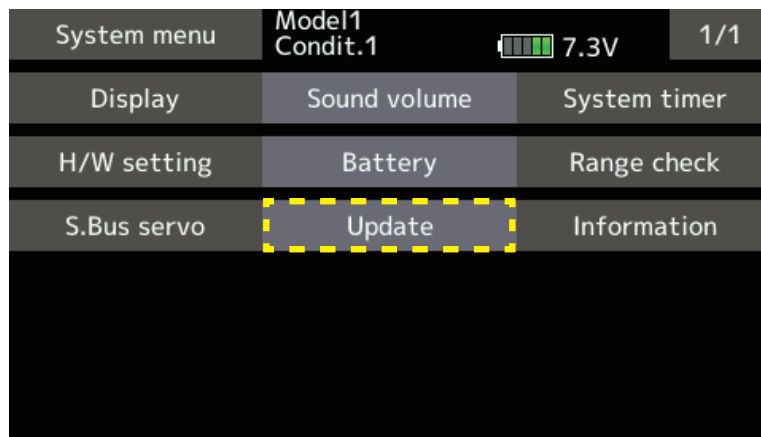
4. Insert the microSD card with "FUTABA" folder that contained the update software into the SD card slot on your transmitter.



5. Connect the receiver to be updated to the S.I/F connector of the transmitter.

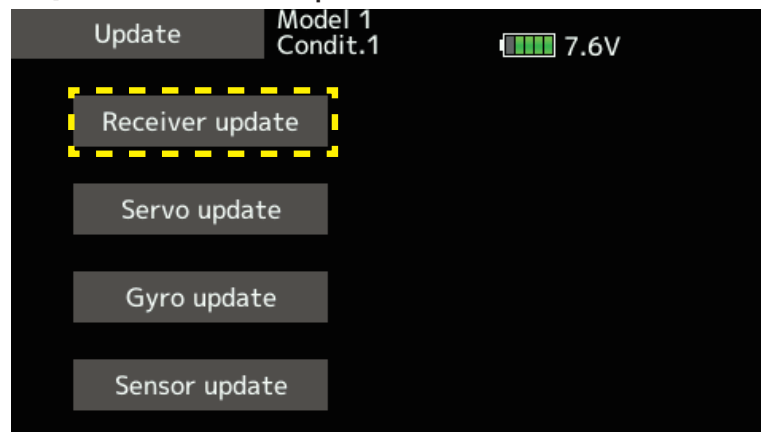


6. Turn on the transmitter and call "System Menu" ⇒ "Update".

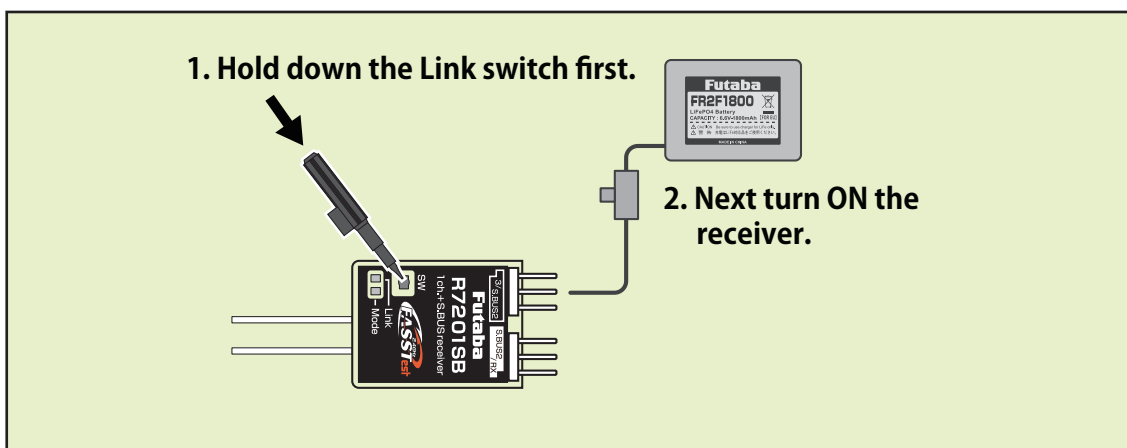


*The display screen will vary depending on the transmitter.

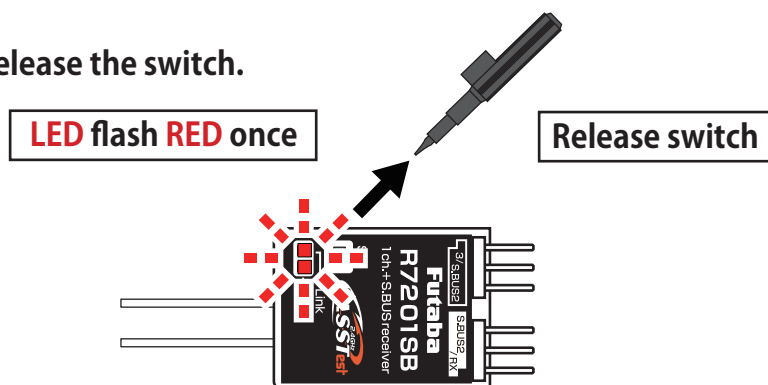
7. Tap [Receiver Update] → [R7201SB]. *R7301SB also taps R7201SB.



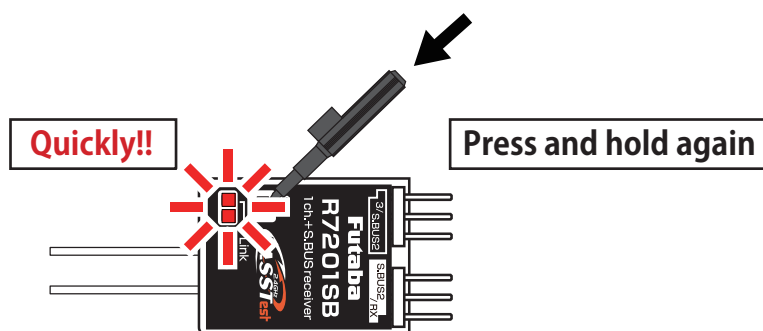
8. Turn on the receiver power while pressing down the switch.



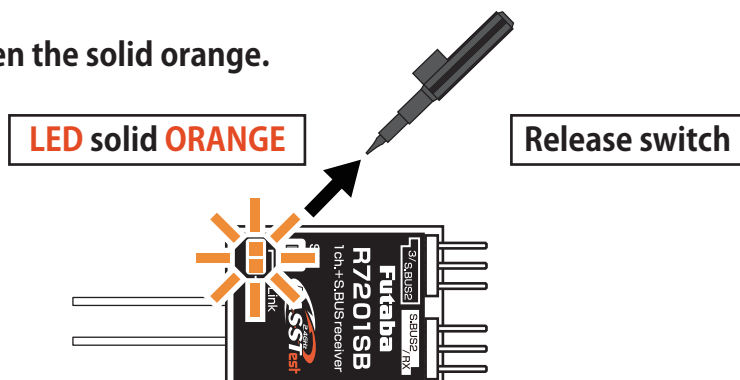
9. LED flash red once, release the switch.



10. Press the switch again.

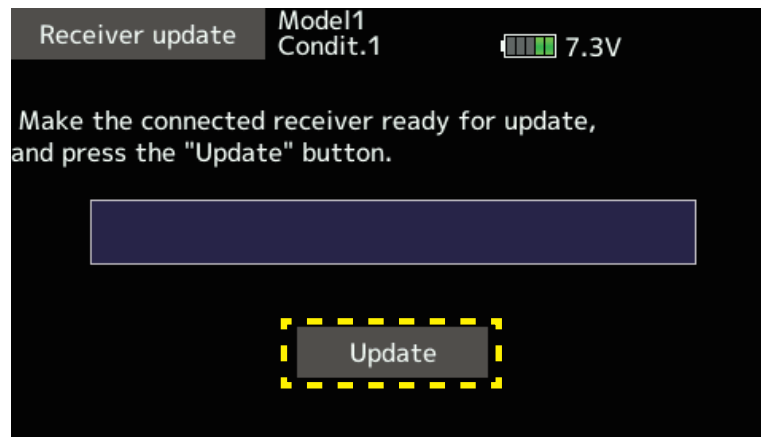


11. Release the switch when the solid orange.

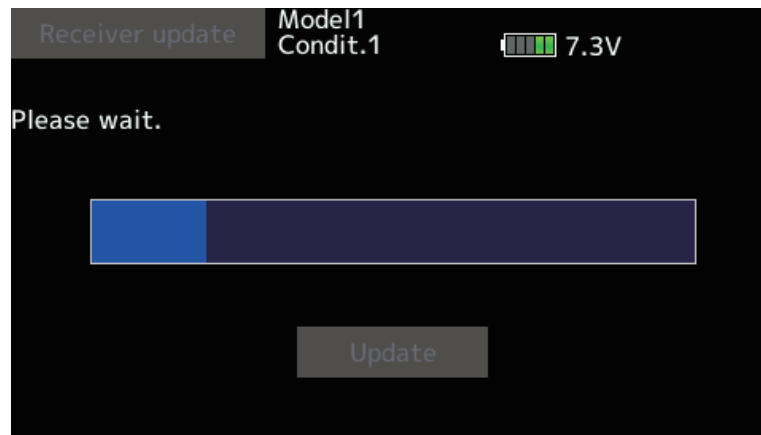


Receiver is waiting for update

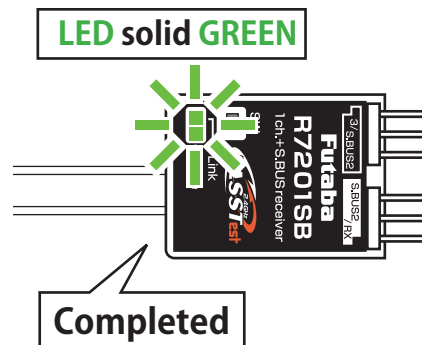
12. Tap [Update].



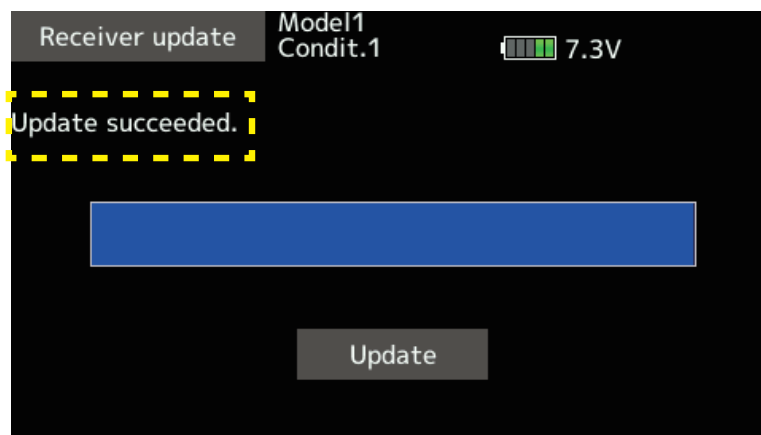
13. Update start.



14. The GREEN LED on the R7201SB/R7301SB lights up when the update is complete.



15. When finished, the following will appear.



16. Check the version by tapping [System Menu] → [R7201SB] → [Load].

17. Disconnect the DLPH-2 from the transmitter's S.I/F connector.

V1.2 UPDATE

- Link processing has been improved.